

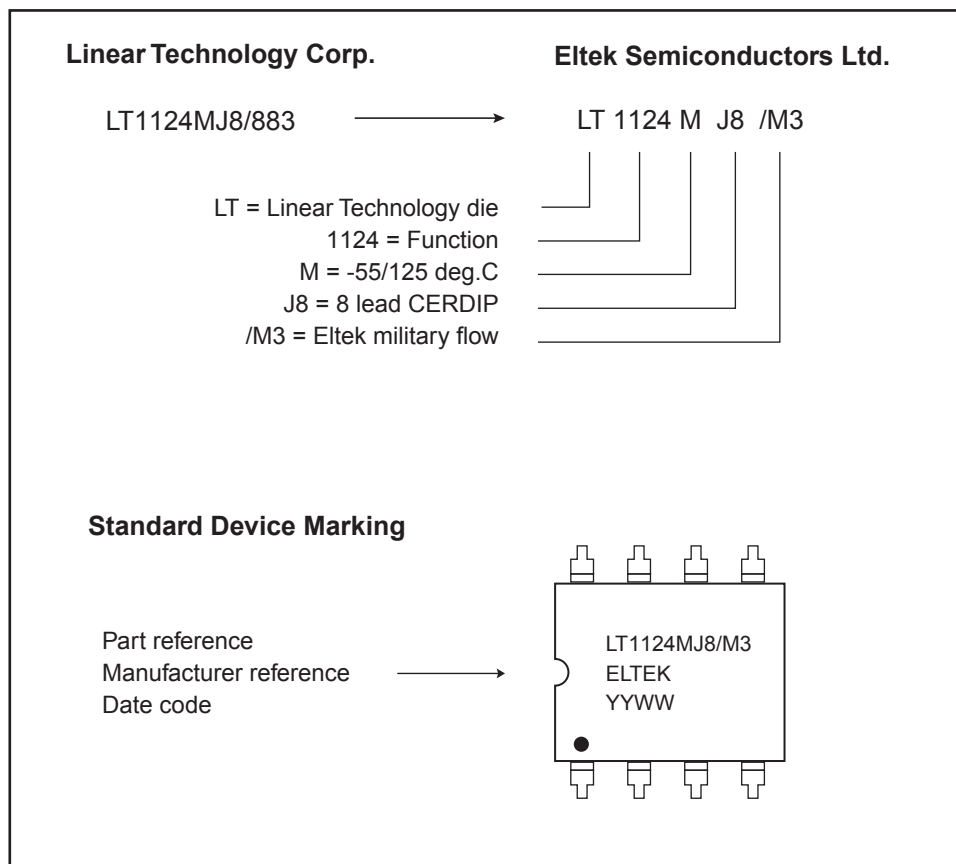
DEVICE CODES AND MARKING

Overview

Eltek devices are coded according to the following rules;

- Original manufacturer prefix or generic part prefix (e.g. LM)
- Part function number
- Original manufacturer temperature range designator
- Original manufacturer package designator
- Eltek process flow reference

Example



Optional device marking

The following optional marking may be specified, subject to available space;

- Customer part number (in addition or as replacement for part reference)
- Batch code
- Serial number
- Underside marking